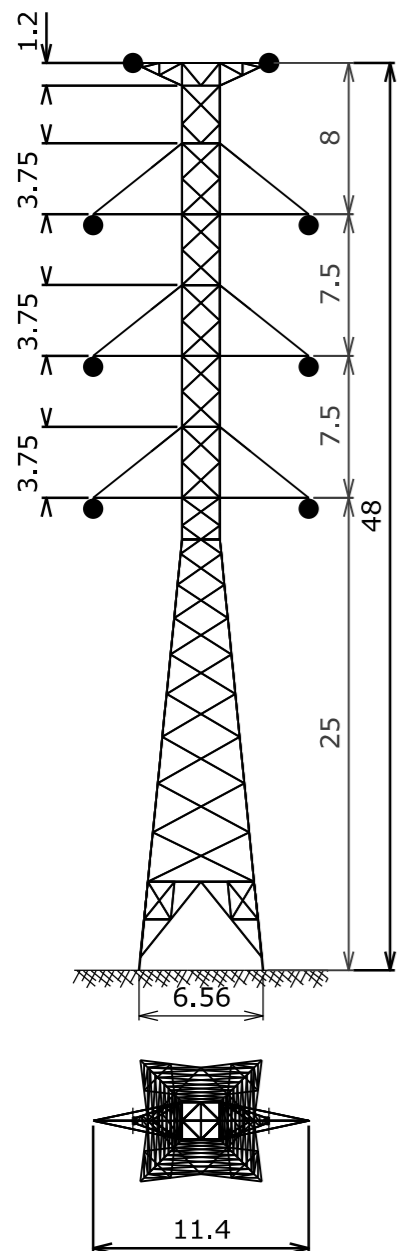


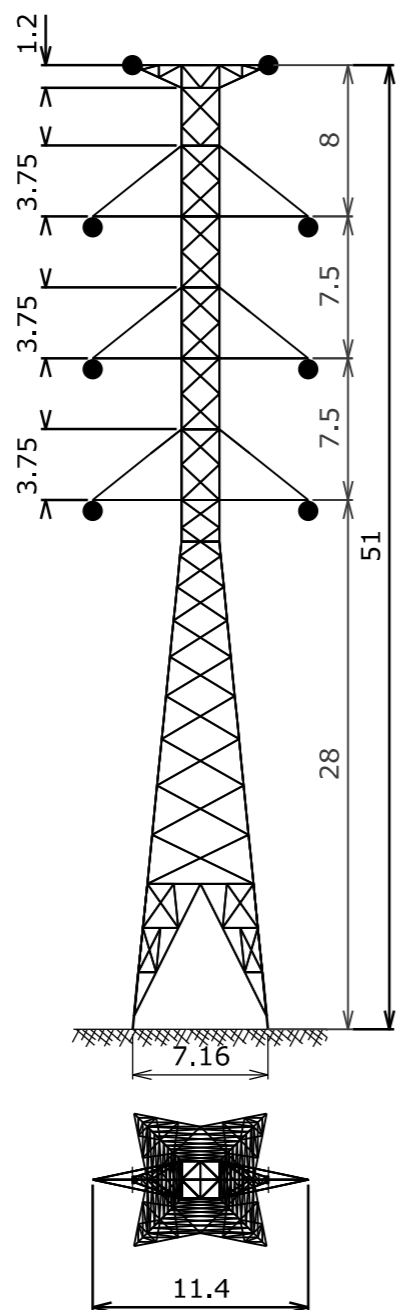
A

C.03.25
(P9, P10, P14)

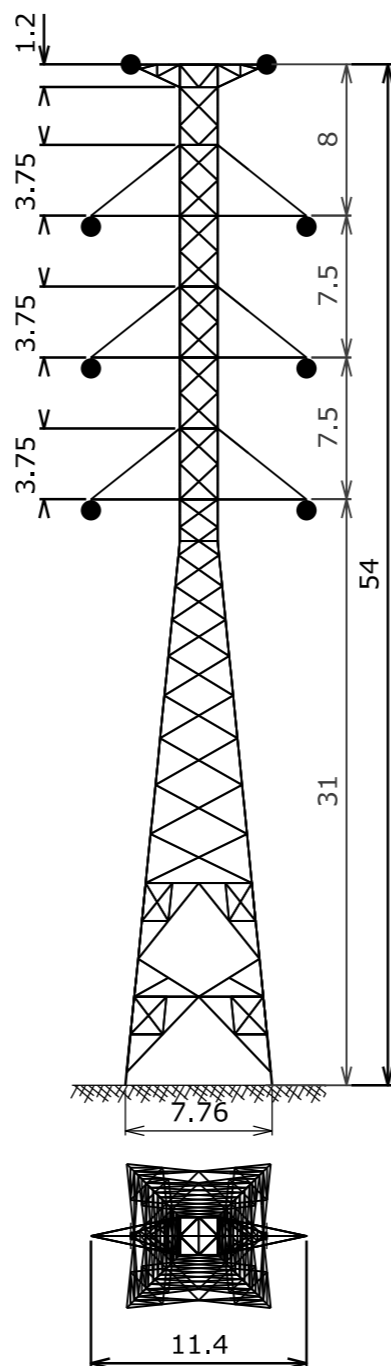


B

C.03.28
(P13)

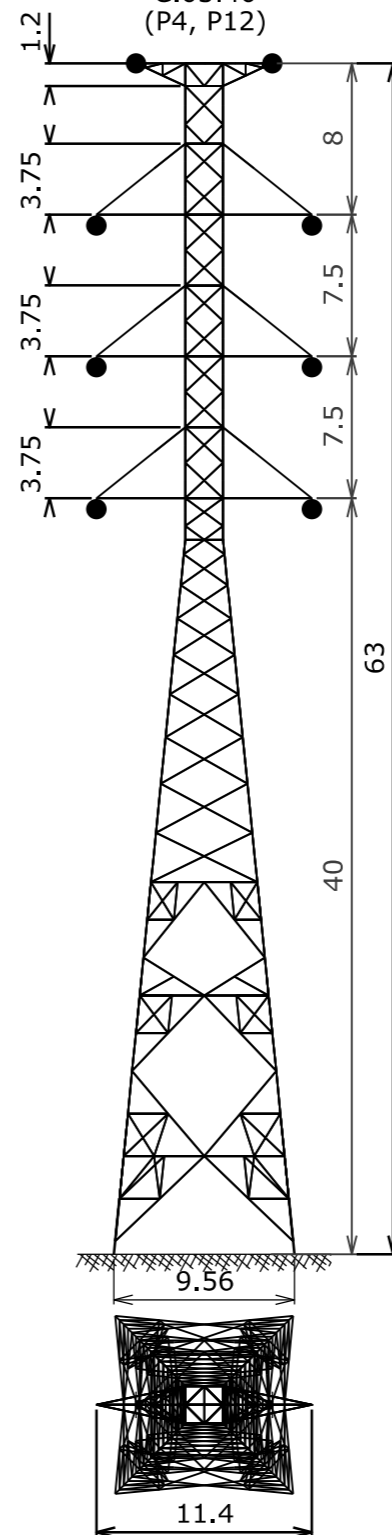


C.03.31
(P15)



C

C.03.40
(P4, P12)



D

LEGENDE


- BEVESTIGINGSPUNT ISOLATORKETTING
- MAAIVELD

BRUGGE/GEZELLE 380kV LIJN

UITWENDIGE VORM VAN DE MASTEN
 NWL216
 C.03.XX

WV-INDEX: 55136bis
 VON-INDEX: 81002

00.00	09/07/2025	FIRST EDITION	PRM				NO
REV.	DD/MM/YYYY	DESCRIPTION	STATUS	DRAWN	CHECKED	VALIDATED	APPROVED



U (kV):	GENRE: 77	FAMILY: 56
UGE : NWL216	SCALE: 1:400	SIZE: A3
CLASSES:	TYPE: C.03.XX	PROJECT: TR43033
TOT. FOLIOS: 1	ELI -3936693 -000	REV: 00.00

This document is the property of Elia Engineering SA. Any reproduction or communication to third parties is prohibited without prior permission.

A

B

C

D

A

B

C

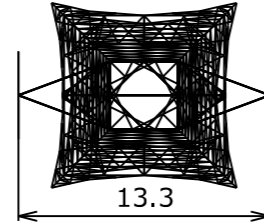
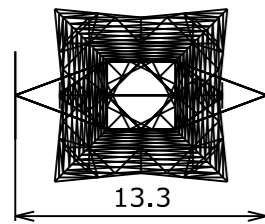
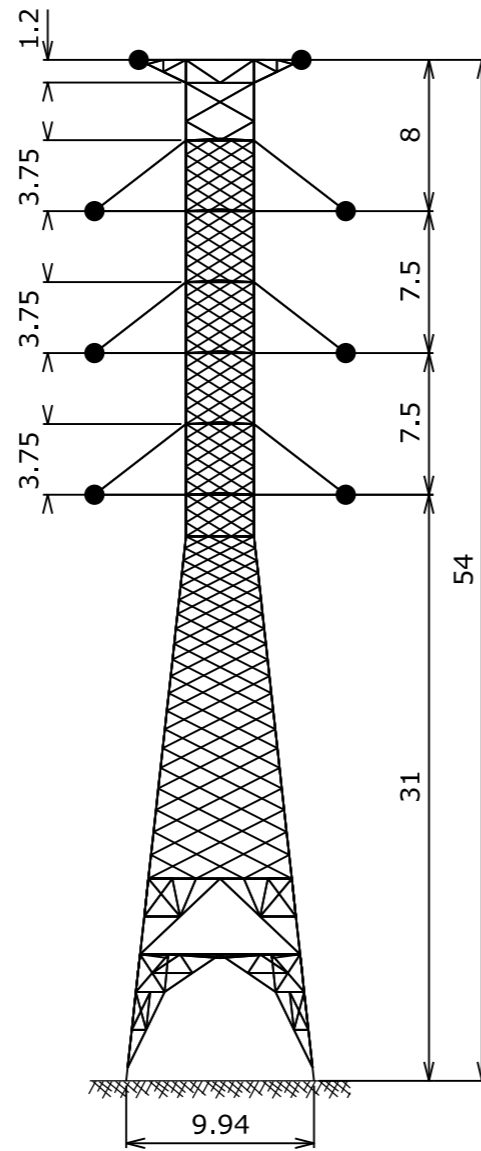
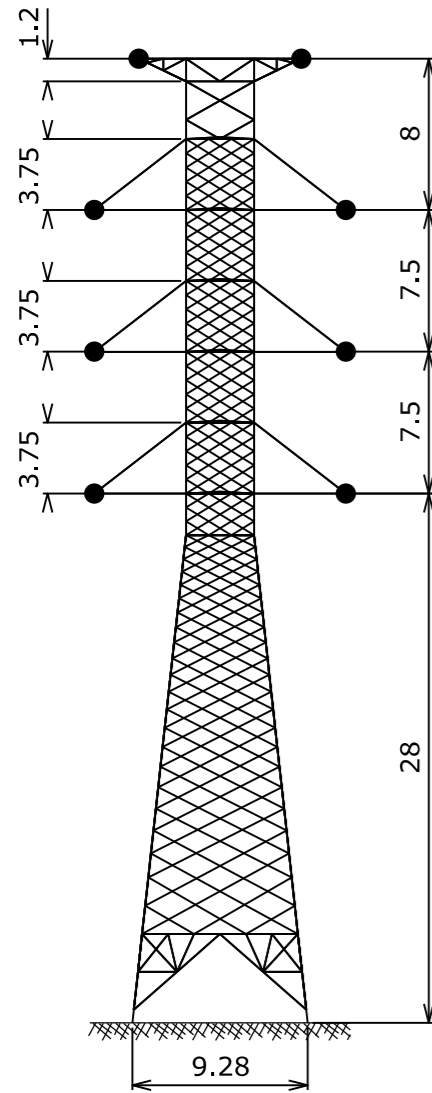
D

LEGENDE

- BEVESTIGINGSPUNT ISOLATORKETTING
- MAAIVELD

C30.28
(P11)

C30.31
(P7)

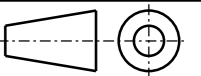


BRUGGE/GEZELLE 380kV LIJN

UITWENDIGE VORM VAN DE MASTEN

NWL216
C.30.XX

WV-INDEX:55136bis
VON-INDEX:81002



00.00	07/09/2025	FIRST EDITION	PRM				NO
REV.	DD/MM/YYYY	DESCRIPTION	STATUS	DRAWN	CHECKED	VALIDATED	APPROVED

<p>Elia Engineering NV/SA Qual Leon Monnoyer 3 Leon Monnoyerkaal 3 B-1000 BRUXELLES-BRUSSEL</p>	U (kV):	GENRE: 77	FAMILY: 56
	UGE : NWL216	SCALE: 1:400	SIZE: A3
	CLASSES:	TYPE: C.30.XX	PROJECT: TR43033
	TOT. FOLIOS:	ELI -3936695 -000	REV: 00.00

This document is the property of Elia Engineering SA. Any reproduction or communication to third parties is prohibited without prior permission.

A

B

C

D

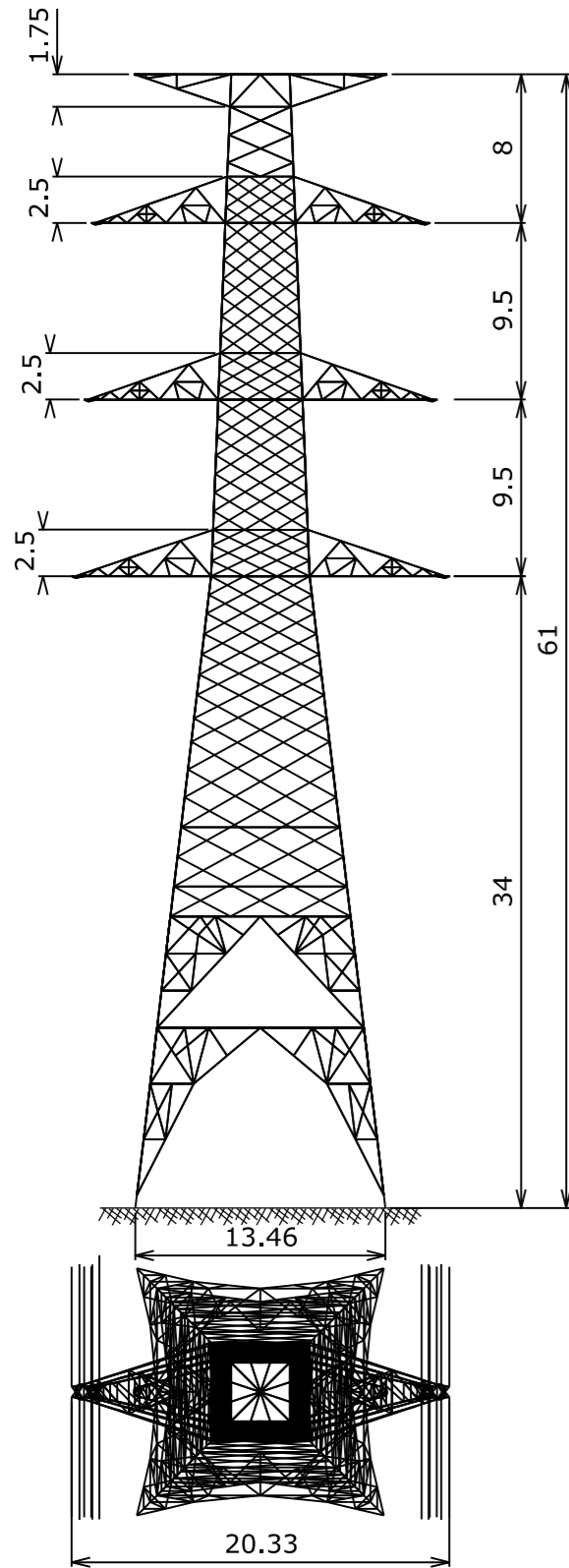
A

B

C

D

RC.15.34
(P4, P5)



LEGENDE

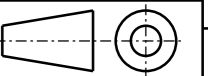
- BEVESTIGINGSPUNT ISOLATORKetting
- MAAIVELD

BRUGGE/GEZELLE 380kV LIJN


UITWENDIGE VORM VAN DE MASTEN

NWL216
RC.15.XX

WV-INDEX:55136bis
VON-INDEX:81002



00.00	07/09/2025	FIRST EDITION	PRM					NO
REV.	DD/MM/YYYY	DESCRIPTION	STATUS	DRAWN	CHECKED	VALIDATED	APPROVED	

 Elia Engineering NV/SA <small>Qual Leon Monnoyer 3 Leon Monnoyerkaal 3 B-1000 BRUXELLES-BRUSSEL</small>	U (kV):	GENRE: 77	FAMILY: 56
	UGE : NWL216	SCALE: 1:400	SIZE: A3
	CLASSES:	TYPE: RC.15.XX	PROJECT: TR43033
	TOT. FOLIOS: 1	ELI -3936696 -000	REV: 00.00

This document is the property of Elia Engineering SA. Any reproduction or communication to third parties is prohibited without prior permission.

A

B

C

D

A

B

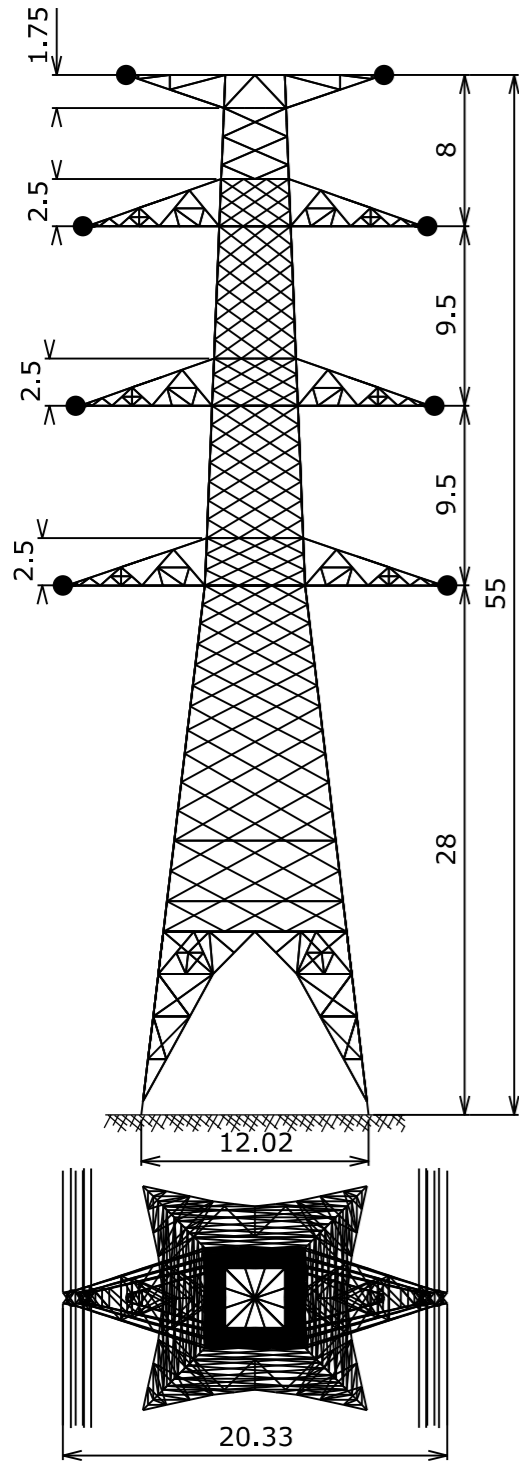
C

D

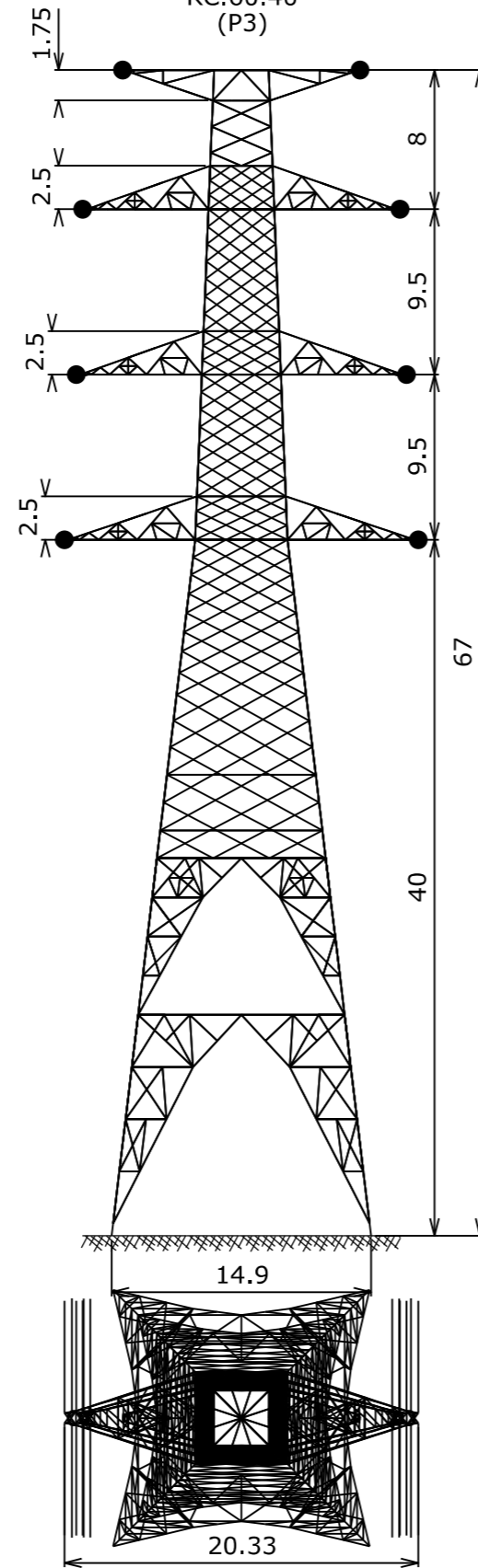
LEGENDE

- BEVESTIGINGSPUNT ISOLATORKETTING
- MAAIVELD

RC.60.28
(P2)



RC.60.40
(P3)

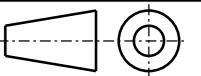


BRUGGE/GEZELLE 380kV LIJN

UITWENDIGE VORM VAN DE MASTEN

NWL216
RC.60.XX

WV-INDEX: 55136bis
VON-INDEX: 81002



00.00	07/09/2025	FIRST EDITION	PRM				NO
REV.	DD/MM/YYYY	DESCRIPTION	STATUS	DRAWN	CHECKED	VALIDATED	APPROVED

Elia Engineering NV/SA
Qual Leon Monnoyer 3
Leon Monnoyerkaal 3
B-1000 BRUXELLES-BRUSSEL

U (kV):	GENRE: 77	FAMILY: 56
UGE : NWL216	SCALE: 1:400	SIZE: A3
CLASSES:	TYPE: RC.60.XX	PROJECT: TR43033
TOT. FOLIOS:	ELI -3936697 -000	REV: 00.00

This document is the property of Elia Engineering SA. Any reproduction or communication to third parties is prohibited without prior permission.

A

B

C

D

A

B

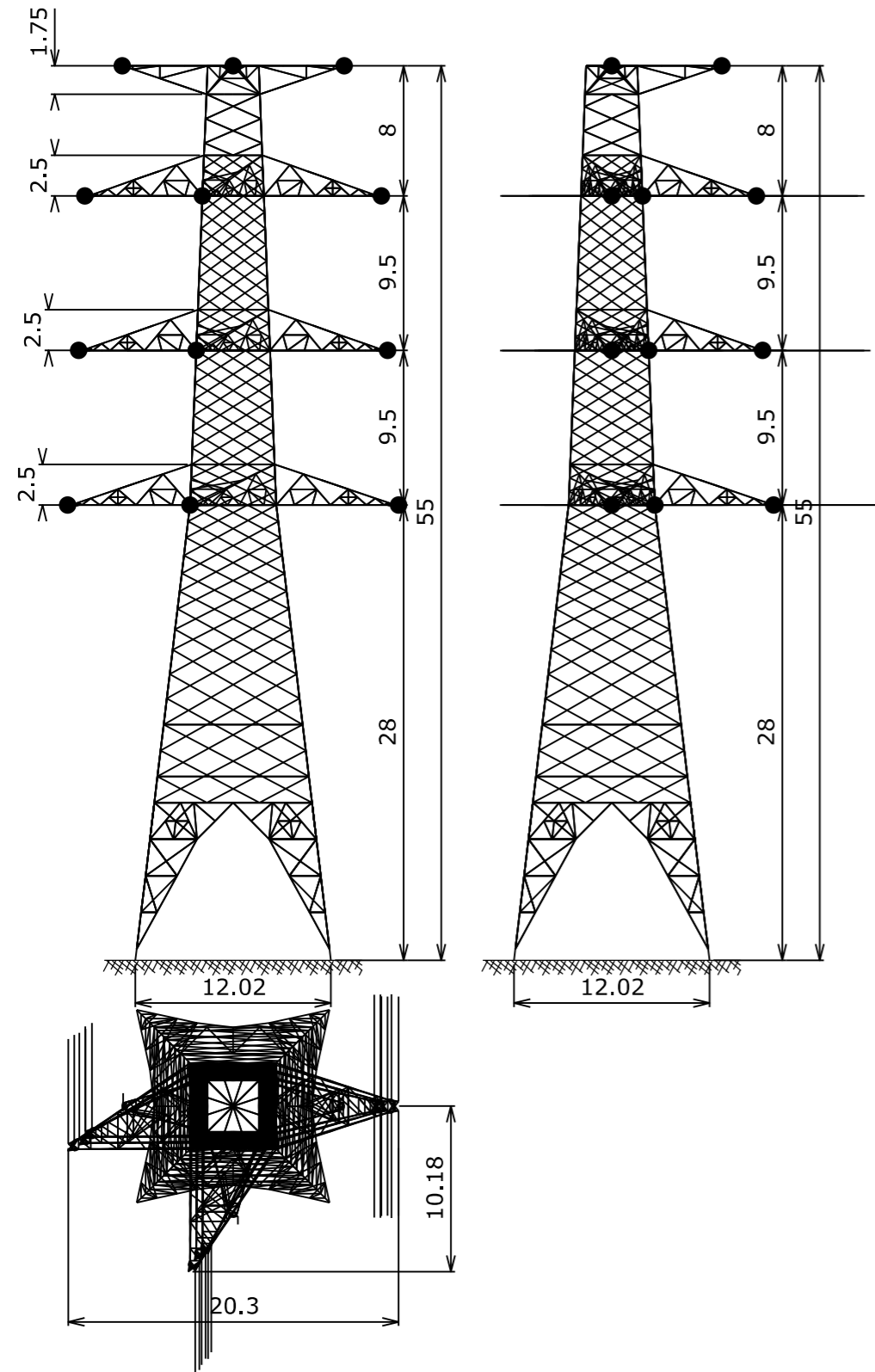
C

D

LEGENDE

- BEVESTIGINGSPUNT ISOLATORKETTING
- MAAIVELD

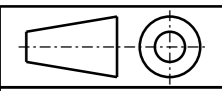
EC.15.28
(P1)



BRUGGE/GEZELLE 380kV LIJN

UITWENDIGE VORM VAN DE MASTEN
 NWL216
 EC.15.XX

WV-INDEX: 55136bis
 VON-INDEX: 81002



00.00	07/09/2025	FIRST EDITION	PRM				NO
REV.	DD/MM/YYYY	DESCRIPTION	STATUS	DRAWN	CHECKED	VALIDATED	APPROVED



U (kV):	GENRE: 77	FAMILY: 56
UGE : NWL216	SCALE: 1:400	SIZE: A3
CLASSES:	TYPE: EC.15.XX	PROJECT: TR43033
TOT. FOLIOS:	ELI -3936698 -000	REV: 00.00

This document is the property of Elia Engineering SA. Any reproduction or communication to third parties is prohibited without prior permission.

A

B

C

D

A

B

C

D

C.03.25
(P5, P44)

C.03.28
(P6, P7, P51, P54, P55)

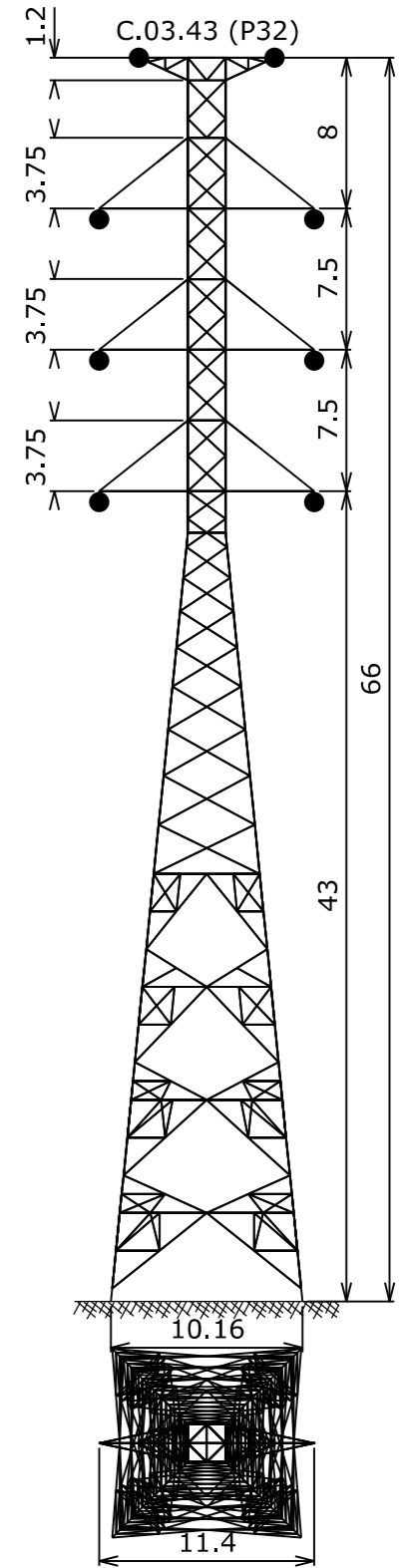
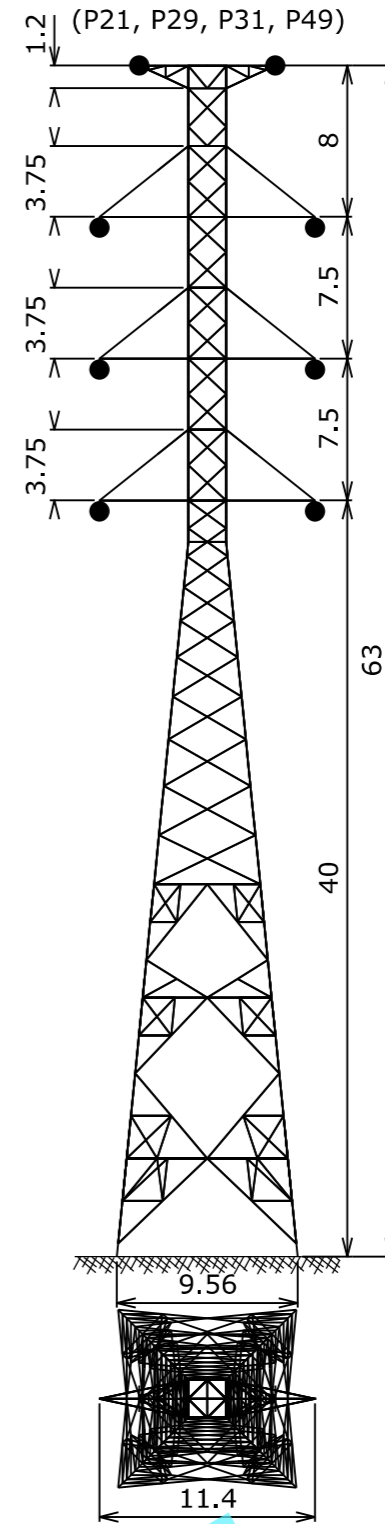
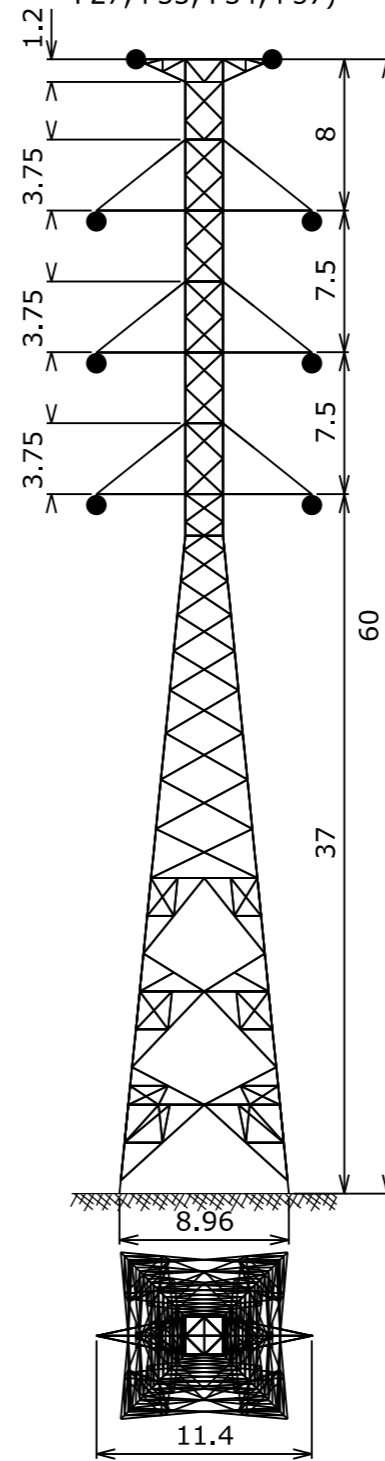
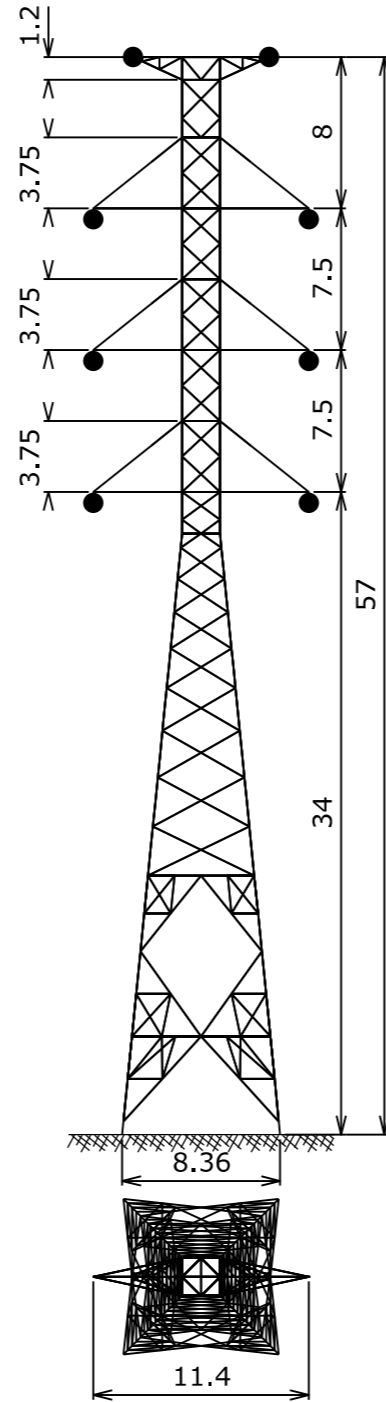
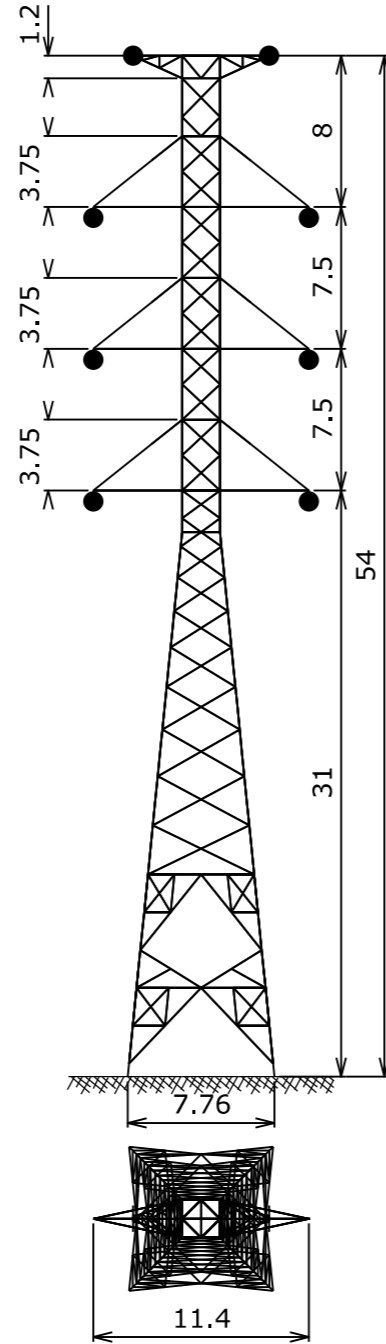
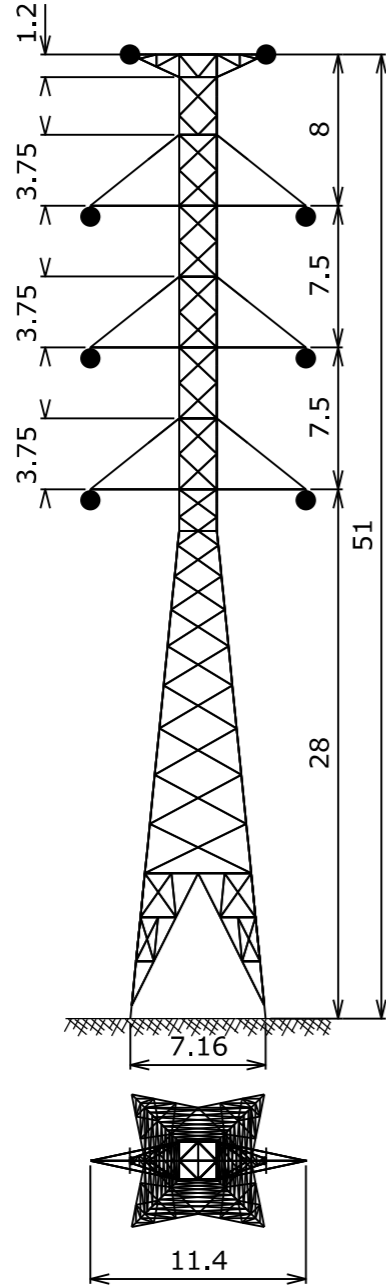
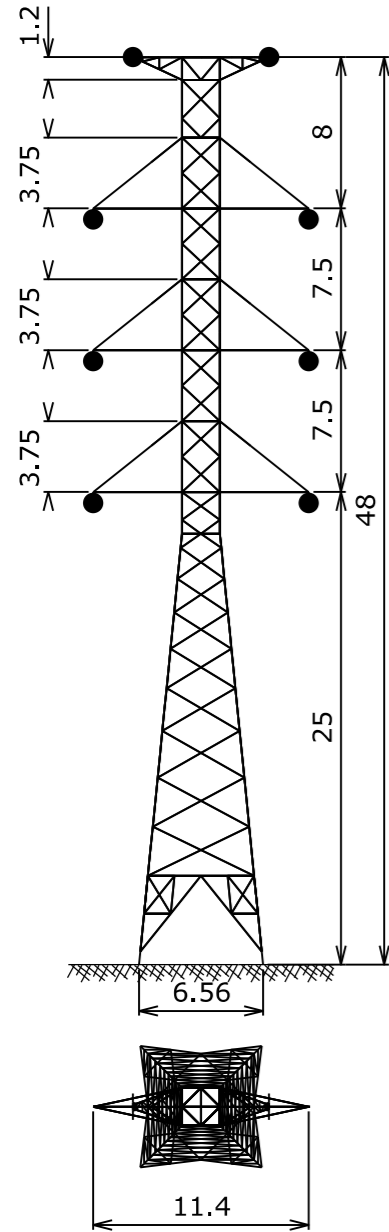
C.03.31
(P35, P36, P52, P53, P56, P58)

C.03.34
(P17, P23, P38, P39
P40, P41, P43, P45, P46)

C.03.37
(P22, P24, P26
P27, P33, P34, P57)

C.03.40
(P21, P29, P31, P49)

C.03.43 (P32)



LEGENDE

- BEVESTIGINGSPUNT ISOLATORKETTING
- MAAIVELD

IZEGEM / ZEDELGEM 380kV LIJN

UITWENDIGE VORM VAN DE MASTEN
 NWL215
 C.03.XX

WV-INDEX:55136bis
 VON-INDEX:81002

00.00	09/07/2025	FIRST EDITION	PRM				NO
REV.	DD/MM/YYYY	DESCRIPTION	STATUS	DRAWN	CHECKED	VALIDATED	APPROVED

<p>Elia Engineering NV/SA <small>Qual Leon Monnoyer 3 Leon Monnoyerkaal 3 B-1000 BRUXELLES-BRUSSEL</small></p>	U (kV):	GENRE: 77	FAMILY: 56
	UGE : NWL215	SCALE: 1:400	SIZE: A3
	CLASSES:	TYPE: C.03.XX	PROJECT: TR43033
	TOT. FOLIOS: 1	ELI -3936758 -000	REV: 00.00

This document is the property of Elia Engineering SA. Any reproduction or communication to third parties is prohibited without prior permission.

A

B

C

D

A

B

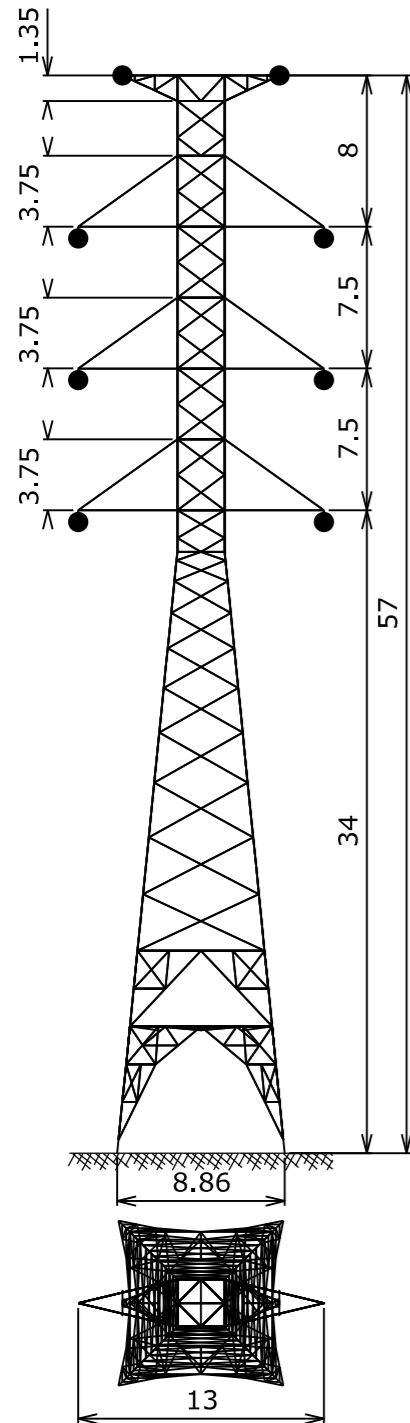
C

D

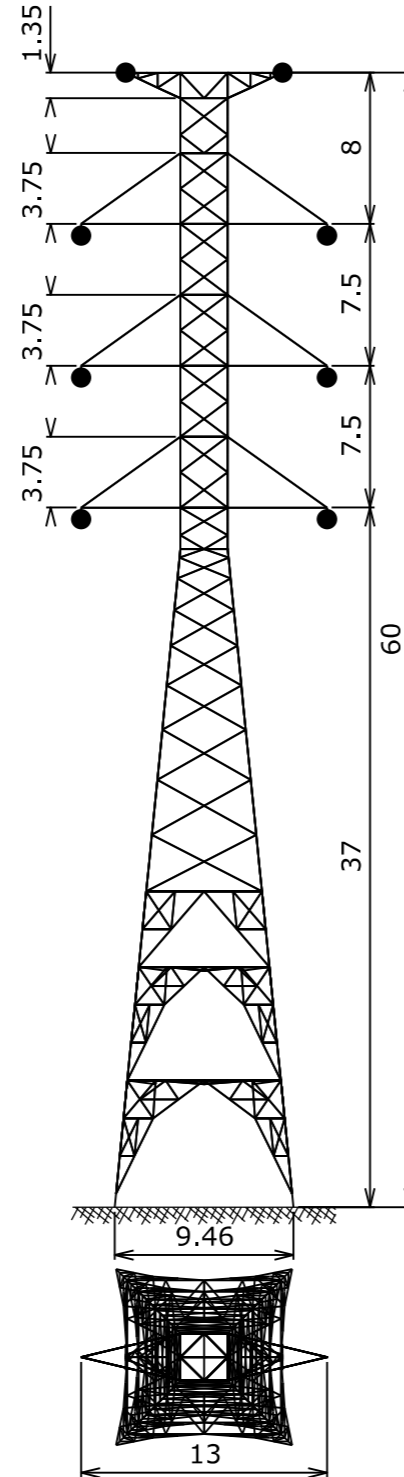
LEGENDE

- BEVESTIGINGSPUNT ISOLATORKETTING
- MAAIVELD

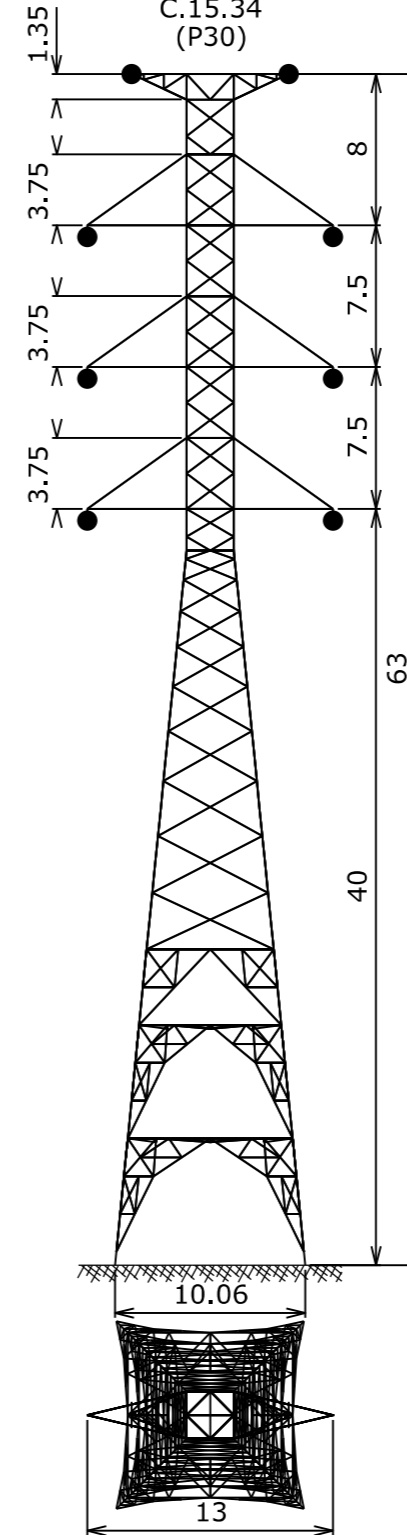
C.15.34
(P3, P13, P47, P48)



C.15.37
(P25, P59)



C.15.34
(P30)



IZEGEM / ZEDELGEM 380kV LIJN

UITWENDIGE VORM VAN DE MASTEN
NWL215
C.15.XX

WV-INDEX:55136bis
VON-INDEX:81002

00.00	07/09/2025	FIRST EDITION	PRM				NO
REV.	DD/MM/YYYY	DESCRIPTION	STATUS	DRAWN	CHECKED	VALIDATED	APPROVED

<p>Elia Engineering NV/SA Qual Leon Monnoyer 3 Leon Monnoyerkaal 3 B-1000 BRUXELLES-BRUSSEL</p>	U (kV):	GENRE: 77	FAMILY: 56
	UGE : NWL215	SCALE: 1:400	SIZE: A3
	CLASSES:	TYPE: C.15.XX	PROJECT: TR43033
	TOT. FOLIOS: 1	ELI -3936759 -000	REV: 00.00

This document is the property of Elia Engineering SA. Any reproduction or communication to third parties is prohibited without prior permission.

A

B

C

D

A

B

C

D

C.30.25
(P10)

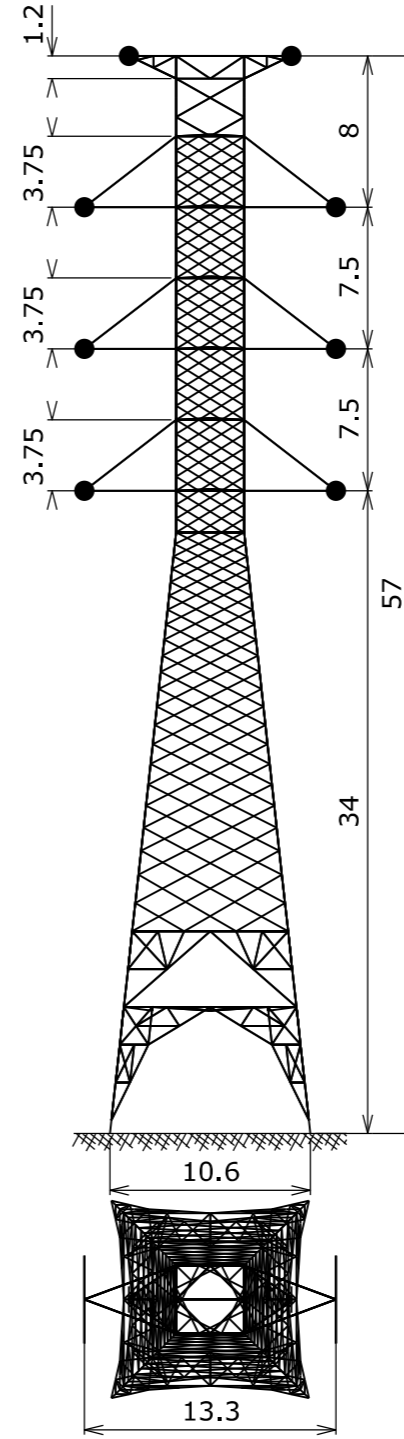
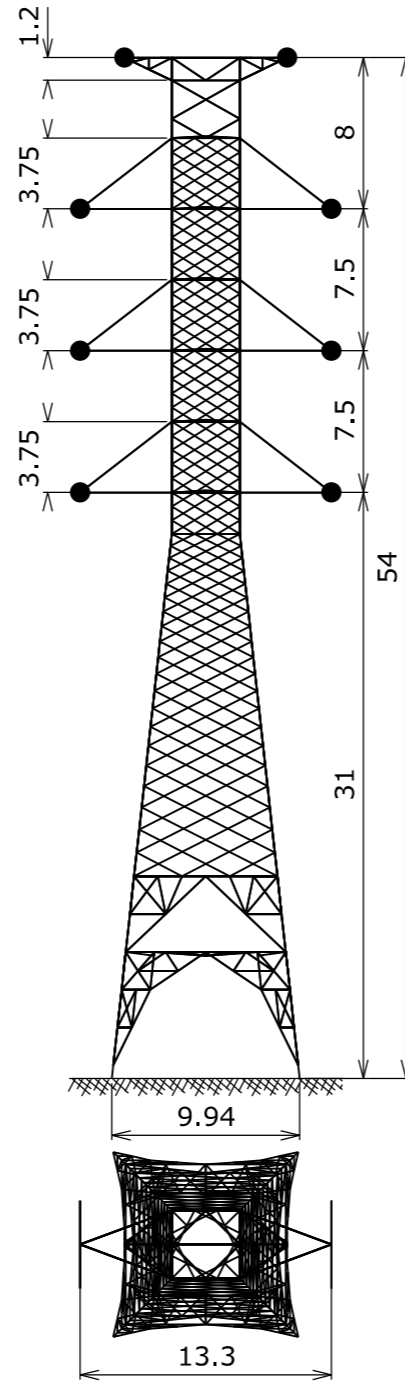
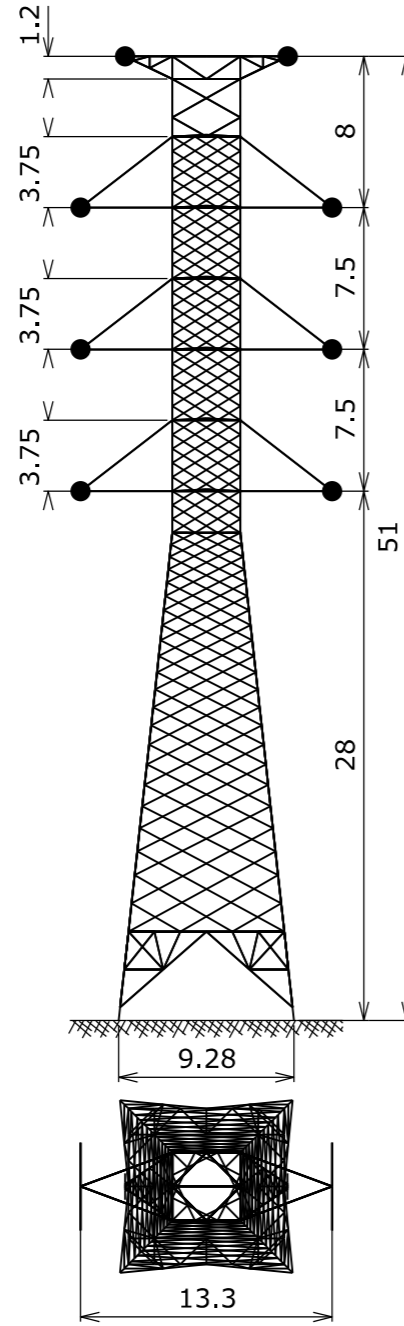
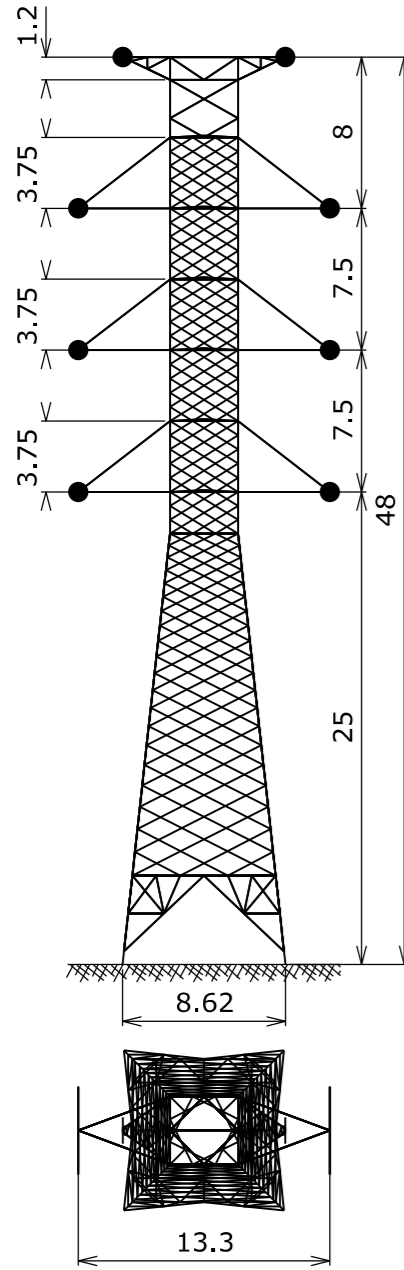
C.30.28
(P2, P4, P9)

C.30.31
(P19)

C.30.34
(P14, P15, P18)

LEGENDE

- BEVESTIGINGSPUNT ISOLATORKETTING
- MAAIVELD



IZEGEM / ZEDELGEM 380kV LIJN

UITWENDIGE VORM VAN DE MASTEN
NWL215
C.30.XX

WV-INDEX:55136bis
VON-INDEX:81002

00.00	07/09/2025	FIRST EDITION	PRM				NO
REV.	DD/MM/YYYY	DESCRIPTION	STATUS	DRAWN	CHECKED	VALIDATED	APPROVED

IZEGEM / ZEDELGEM 380kV LIJN

UITWENDIGE VORM VAN DE MASTEN
NWL215
C.30.XX

WV-INDEX:55136bis
VON-INDEX:81002

<p>Elia Engineering NV/SA Qual Leon Monnoyer 3 Leon Monnoyerkaal 3 B-1000 BRUXELLES-BRUSSEL</p>	U (kV):	GENRE: 77	FAMILY: 56
	UGE : NWL215	SCALE: 1:400	SIZE: A3
	CLASSES:	TYPE: C.30.XX	PROJECT: TR43033
	TOT. FOLIOS: 1	ELI -3936760 -000	REV: 00.00

This document is the property of Elia Engineering SA. Any reproduction or communication to third parties is prohibited without prior permission.

A

B

C

D

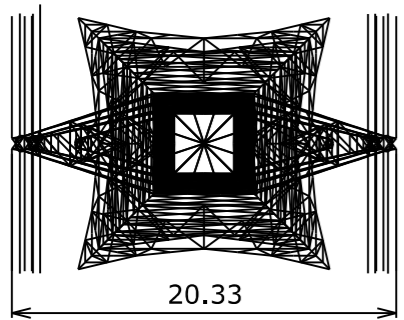
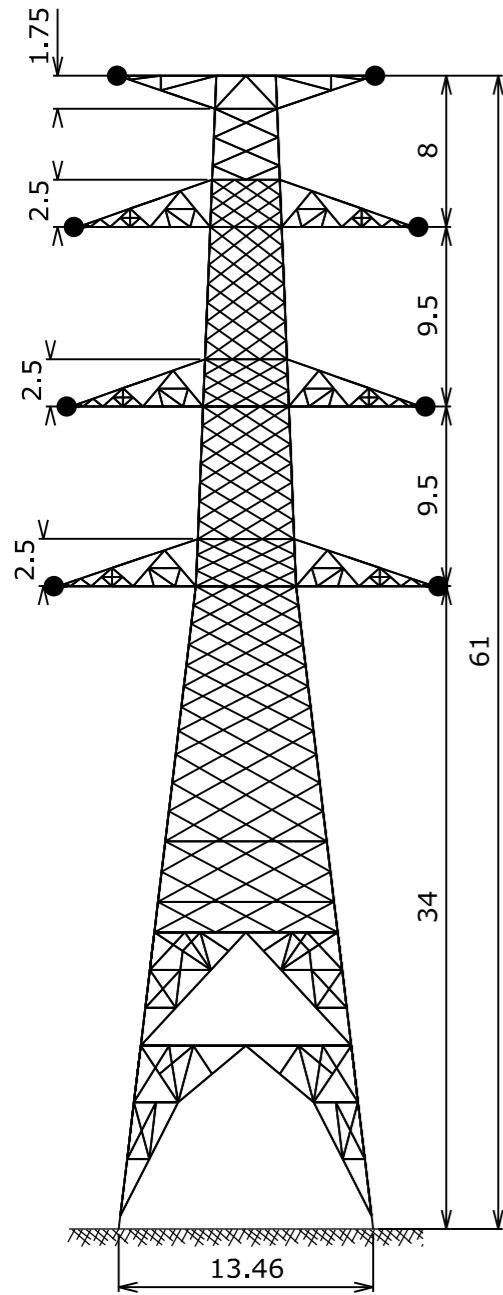
A

B

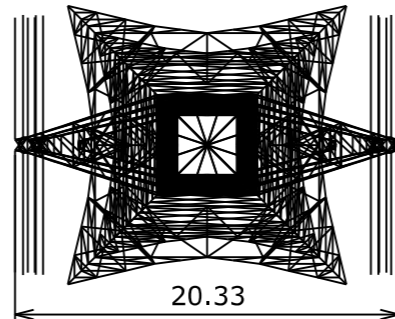
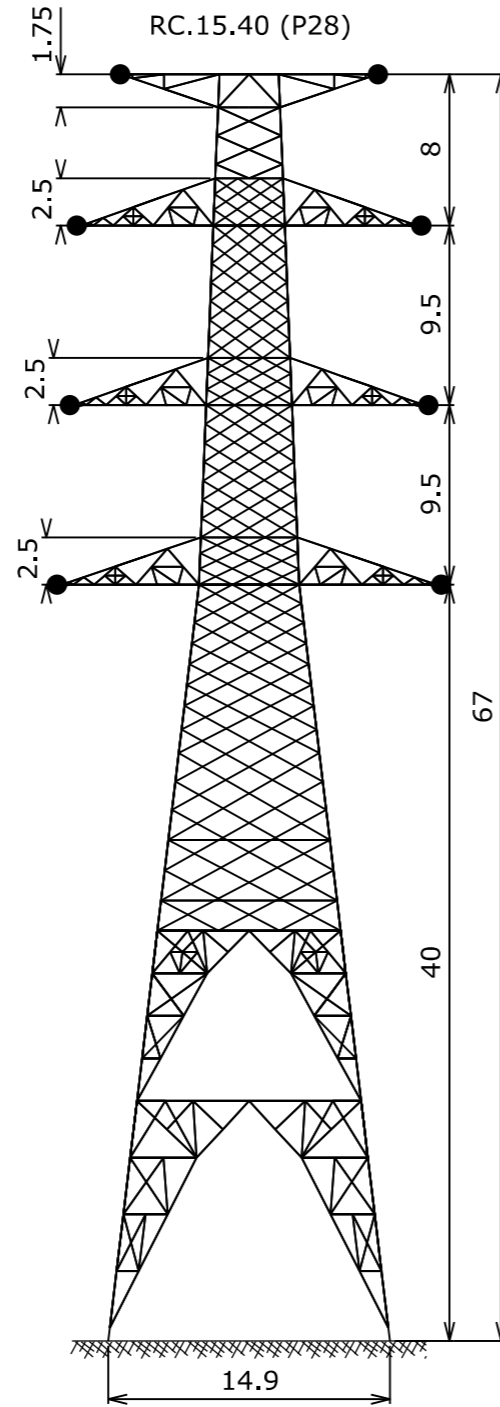
C

D

RC.15.34
(P16, P37, P42, P50)



RC.15.40 (P28)



LEGENDE

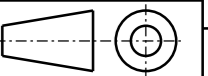
- BEVESTIGINGSPUNT ISOLATORKETTING
- MAAIVELD

IZEGEM / ZEDELGEM 380kV LIJN

UITWENDIGE VORM VAN DE MASTEN

NWL215
RC.15.XX

WV-INDEX:55136bis
VON-INDEX:81002



00.00	07/09/2025	FIRST EDITION	PRM				NO
REV.	DD/MM/YYYY	DESCRIPTION	STATUS	DRAWN	CHECKED	VALIDATED	APPROVED

<p>Elia Engineering NV/SA Qual Leon Monnoyer 3 Leon Monnoyerkaal 3 B-1000 BRUXELLES-BRUSSEL</p>	U (kV):	GENRE: 77	FAMILY: 56
	UGE : NWL215	SCALE: 1:400	SIZE: A3
	CLASSES:	TYPE: RC.15.XX	PROJECT: TR43033
	TOT. FOLIOS: 1	ELI -3936761 -000	REV: 00.00

This document is the property of Elia Engineering SA. Any reproduction or communication to third parties is prohibited without prior permission.

A

B

C

D

A

B

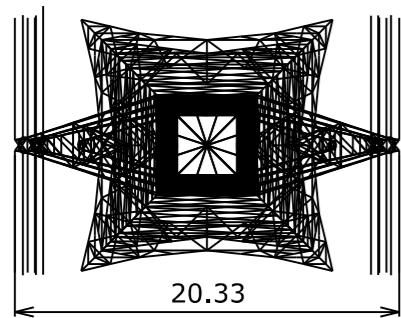
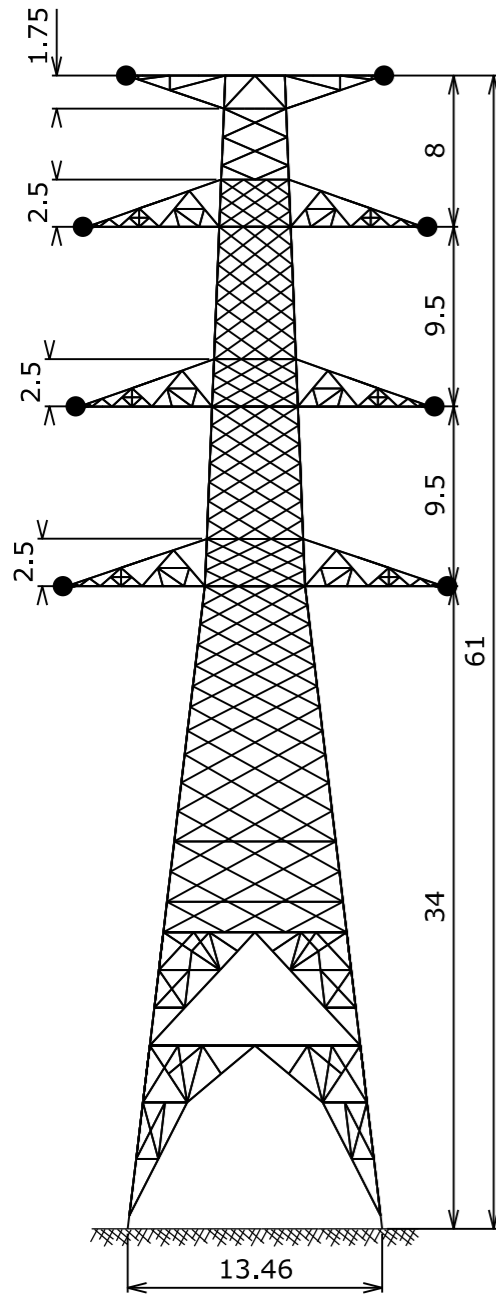
C

D

LEGENDE

- BEVESTIGINGSPUNT ISOLATORKETTING
- MAAIVELD

RC.60.34
(P8,P20)

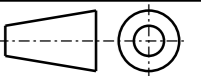


IZEGEM / ZEDELGEM 380kV LIJN

UITWENDIGE VORM VAN DE MASTEN

NWL215
RC.60.XX

WV-INDEX:55136bis
VON-INDEX:81002



00.00	07/09/2025	FIRST EDITION	PRM				NO
REV.	DD/MM/YYYY	DESCRIPTION	STATUS	DRAWN	CHECKED	VALIDATED	APPROVED

<p>Elia Engineering NV/SA Qual Leon Monnoyer 3 Leon Monnoyerkaal 3 B-1000 BRUXELLES-BRUSSEL</p>	U (kV):	GENRE: 77	FAMILY: 56
	UGE : NWL215	SCALE: 1:400	SIZE: A3
	CLASSES:	TYPE: RC.60.XX	PROJECT: TR43033
	TOT. FOLIOS: 1	ELI -3936762 -000	REV: 00.00

This document is the property of Elia Engineering SA. Any reproduction or communication to third parties is prohibited without prior permission.

A

B

C

D

A

B

C

D

EC.15.25 (3 consoles) (P1)

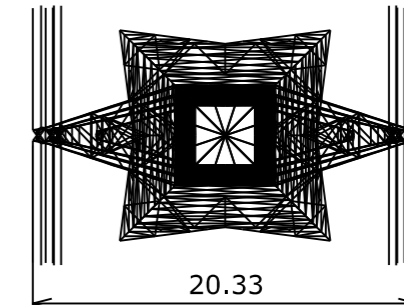
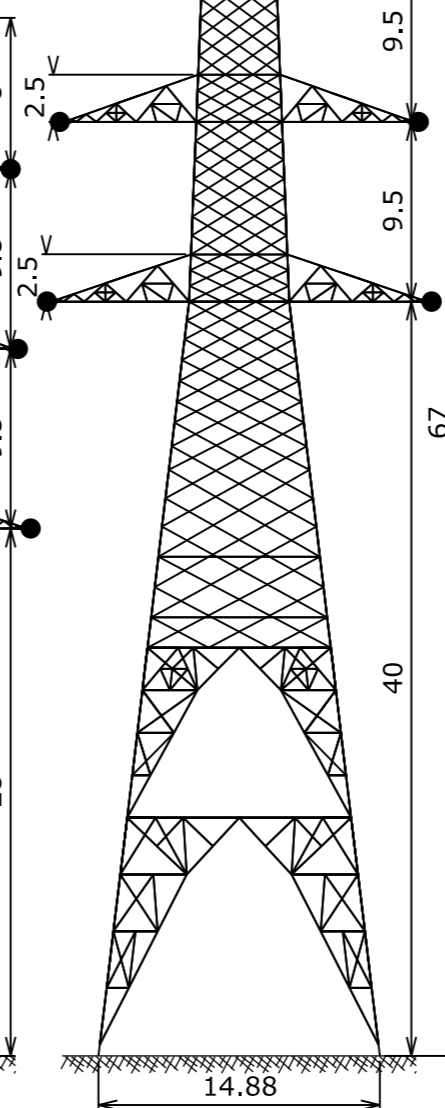
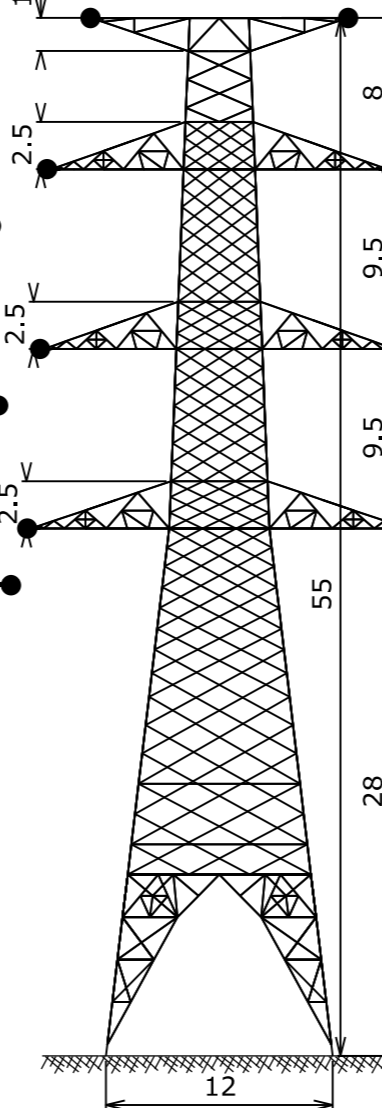
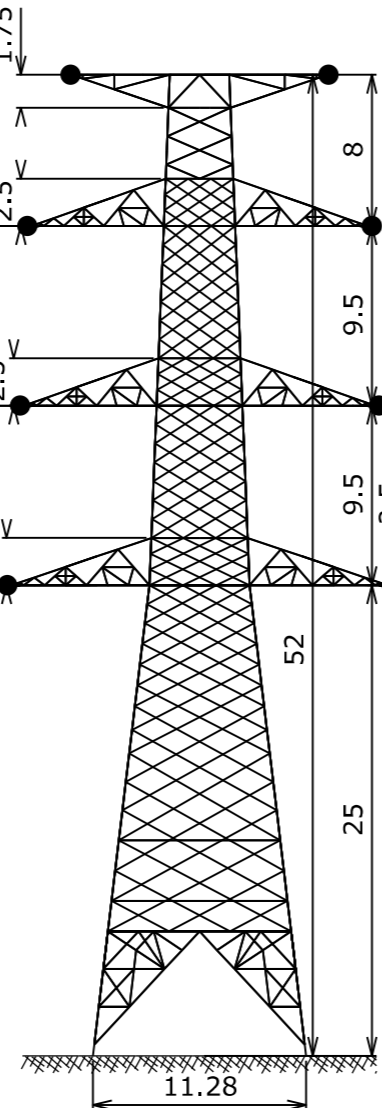
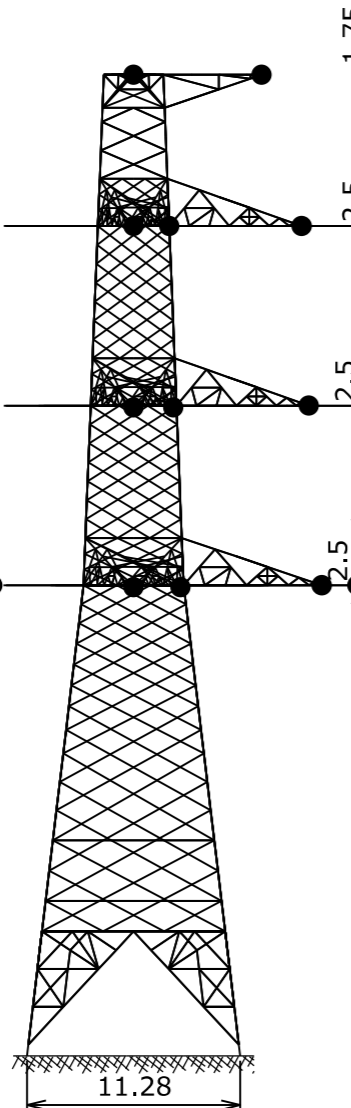
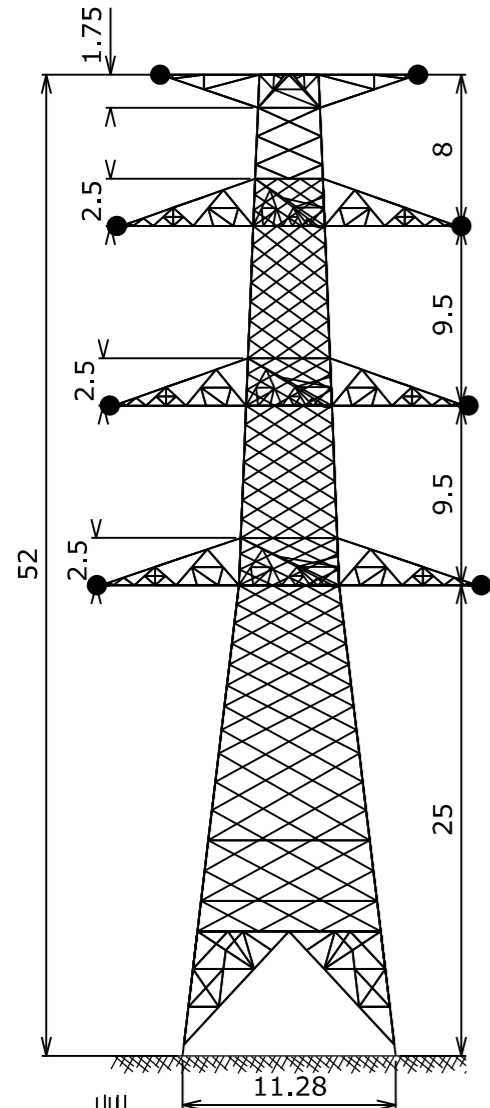
EC.15.25 (P11)

EC.15.28 (P60)

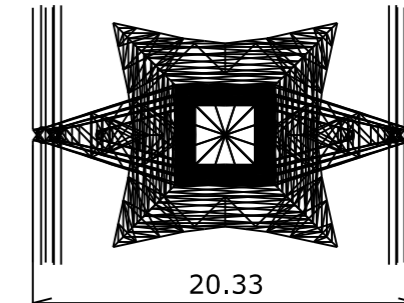
EC.15.40 (P12)

LEGENDE

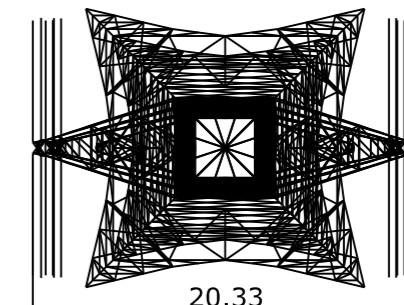
- BEVESTIGINGSPUNT ISOLATORKETTING
- MAAIVELD



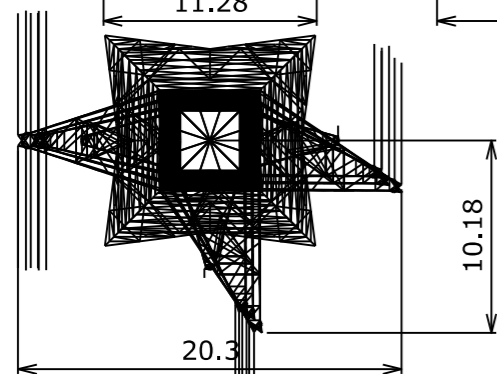
EC.15.25 (P11) TOP VIEW



EC.15.28 (P60) TOP VIEW



EC.15.40 (P12) TOP VIEW




IZEGEM / ZEDELGEM 380kV LIJN

UITWENDIGE VORM VAN DE MASTEN
NWL215
EC.15.XX

WV-INDEX:55136bis
VON-INDEX:81002

00.00	07/09/2025	FIRST EDITION	PRM				NO
REV.	DD/MM/YYYY	DESCRIPTION	STATUS	DRAWN	CHECKED	VALIDATED	APPROVED

 Elia Engineering NV/SA <small>Qual Leon Monnoyer 3 Leon Monnoyerkaal 3 B-1000 BRUXELLES-BRUSSEL</small>	U (kV):	GENRE: 77	FAMILY: 56
	UGE : NWL215	SCALE: 1:400	SIZE: A3
	CLASSES:	TYPE: EC.15.XX	PROJECT: TR43033
	TOT. FOLIOS: 1	ELI -3936763 -000	REV: 00.00

This document is the property of Elia Engineering SA. Any reproduction or communication to third parties is prohibited without prior permission.

A

B

C

D

A

B

C

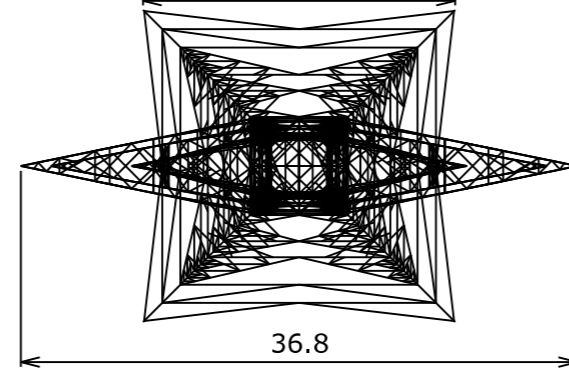
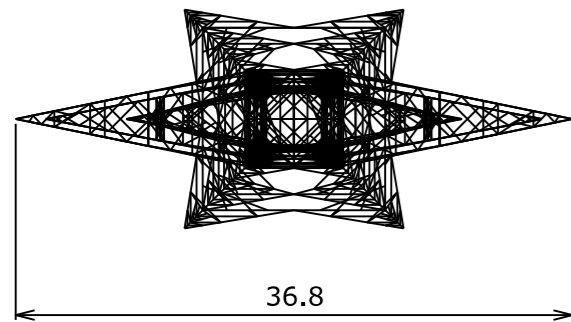
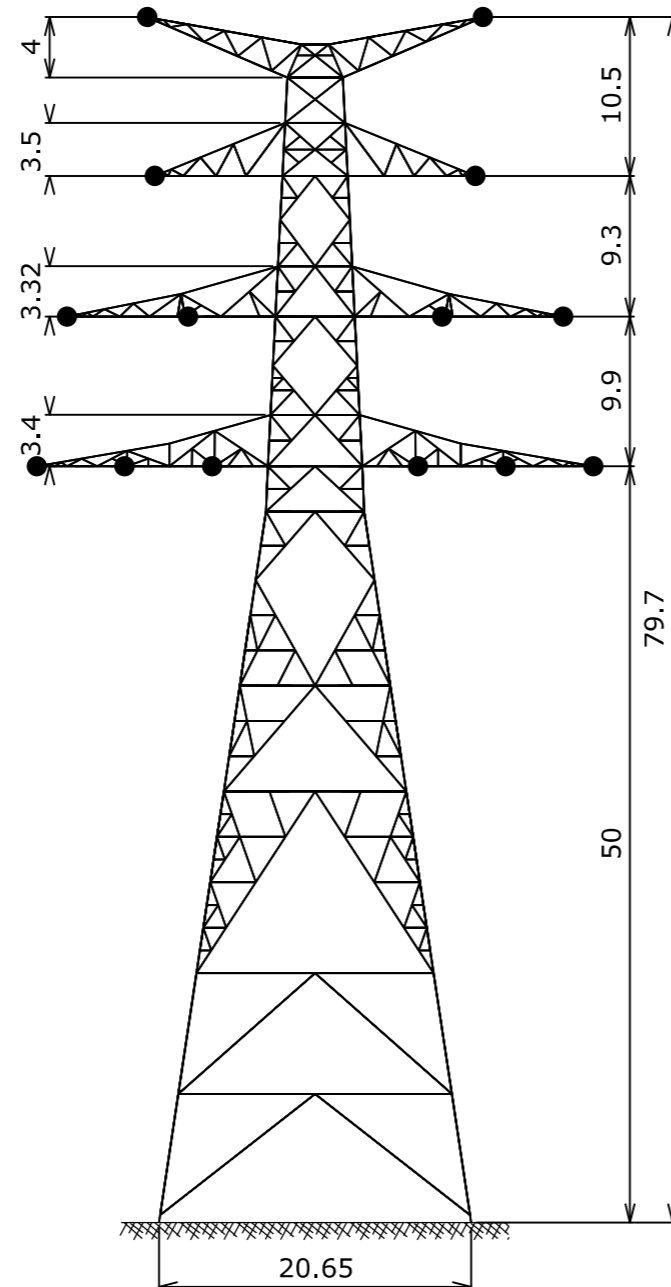
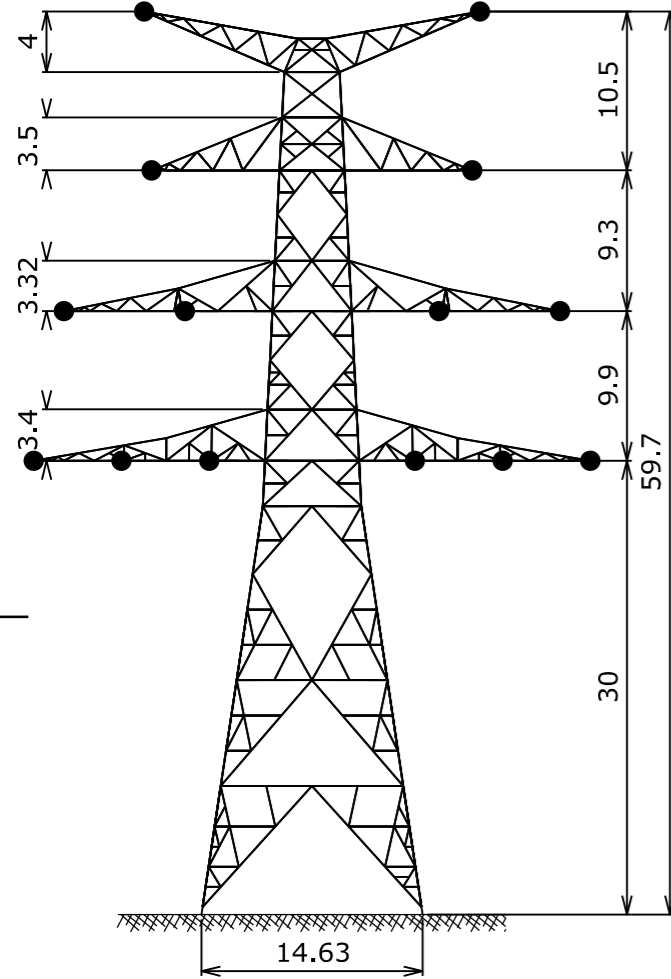
D

OARQ.30
(P14N, P15N)

OARQ.50(P27N)

LEGENDE

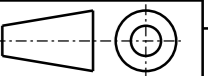
- BEVESTIGINGSPUNT ISOLATORKETTING
- MAAIVELD



BRUGGE WAGGELWATER/ZEDELGEM 150(380)kV LIJN

UITWENDIGE VORM VAN DE MASTEN
EV209
P14N, P15N, P27N

WV-INDEX:55136bis
VON-INDEX:81002



00.00	09/07/2025	FIRST EDITION	PRM				NO
REV.	DD/MM/YYYY	DESCRIPTION	STATUS	DRAWN	CHECKED	VALIDATED	APPROVED

<p>Elia Engineering NV/SA Qual Leon Monnoyer 3 Leon Monnoyerkaal 3 B-1000 BRUXELLES-BRUSSEL</p>	U (kV): 380	GENRE: 77	FAMILY: 56
	UGE : EV209	SCALE: 1:500	SIZE: A3
	CLASSES:	TYPE: OARQ,XX	PROJECT: TR43033
	TOT. FOLIOS: 1	ELI -3936808 -000	REV: 00.00

This document is the property of Elia Engineering SA. Any reproduction or communication to third parties is prohibited without prior permission.

A

B

C

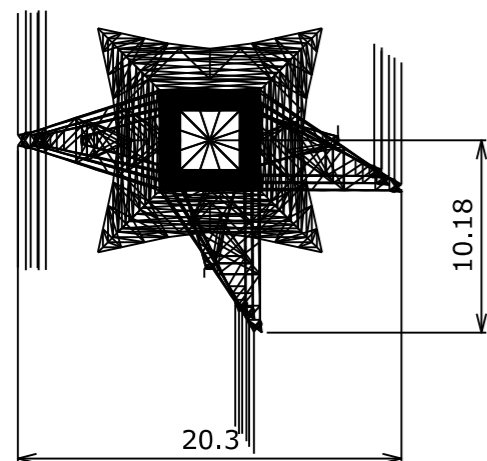
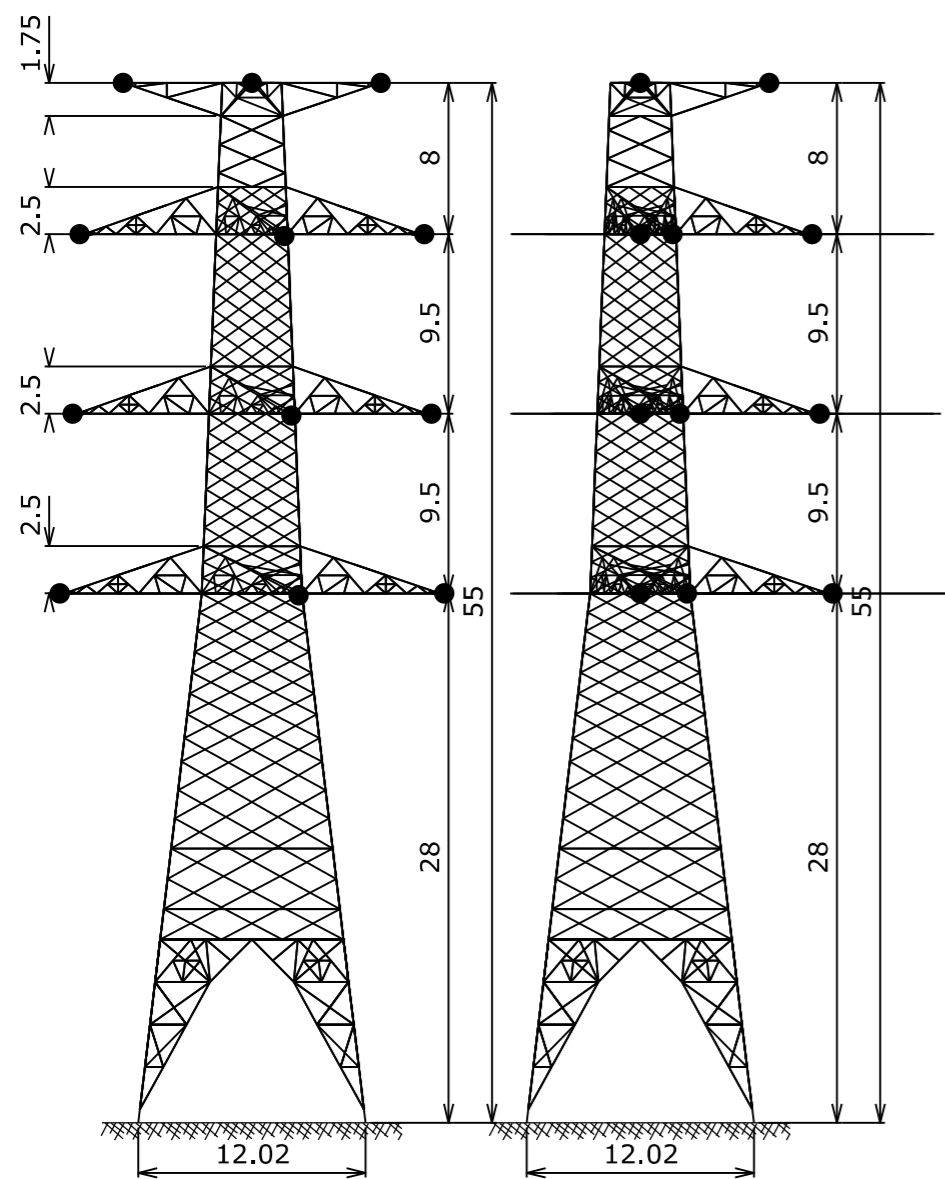
D

A

B

C

D

EC.15.28 (3 consoles)
(P44bis)**LEGENDE**

- BEVESTIGINGSPUNT ISOLATORKETTING
- MAAIVELD

BRUGGE WAGGELWATER/ZEDDELGEM 150(380)kV LIJN

UITWENDIGE VORM VAN DE MASTEN

EV209
P44bis

WV-INDEX:55136bis

VON-INDEX:81002

00.00	07/09/2025	FIRST EDITION	PRM				NO
-------	------------	---------------	-----	--	--	--	----

REV.	DD/MM/YYYY	DESCRIPTION	STATUS	DRAWN	CHECKED	VALIDATED	APPROVED
------	------------	-------------	--------	-------	---------	-----------	----------

Elia Engineering NV/SA
Qual Leon Monnoyer 3
Leon Monnoyerkaal 3
B-1000 BRUXELLES-BRUSSEL

U (kV): 380	GENRE: 77	FAMILY: 56
UGE : EV209	SCALE: 1:400	SIZE: A3
CLASSES:	TYPE: EC.15.XX	PROJECT: TR43033
TOT. FOLIOS:	ELI -3936809 -000	REV: 00.00

This document is the property of Elia Engineering SA. Any reproduction or communication to third parties is prohibited without prior permission.

A

B

C

D